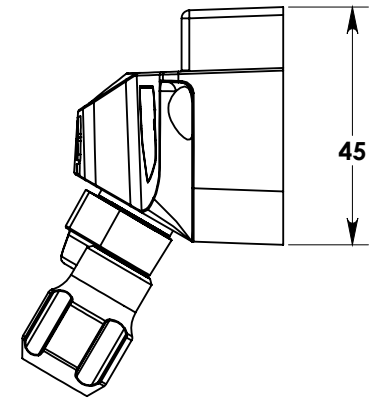
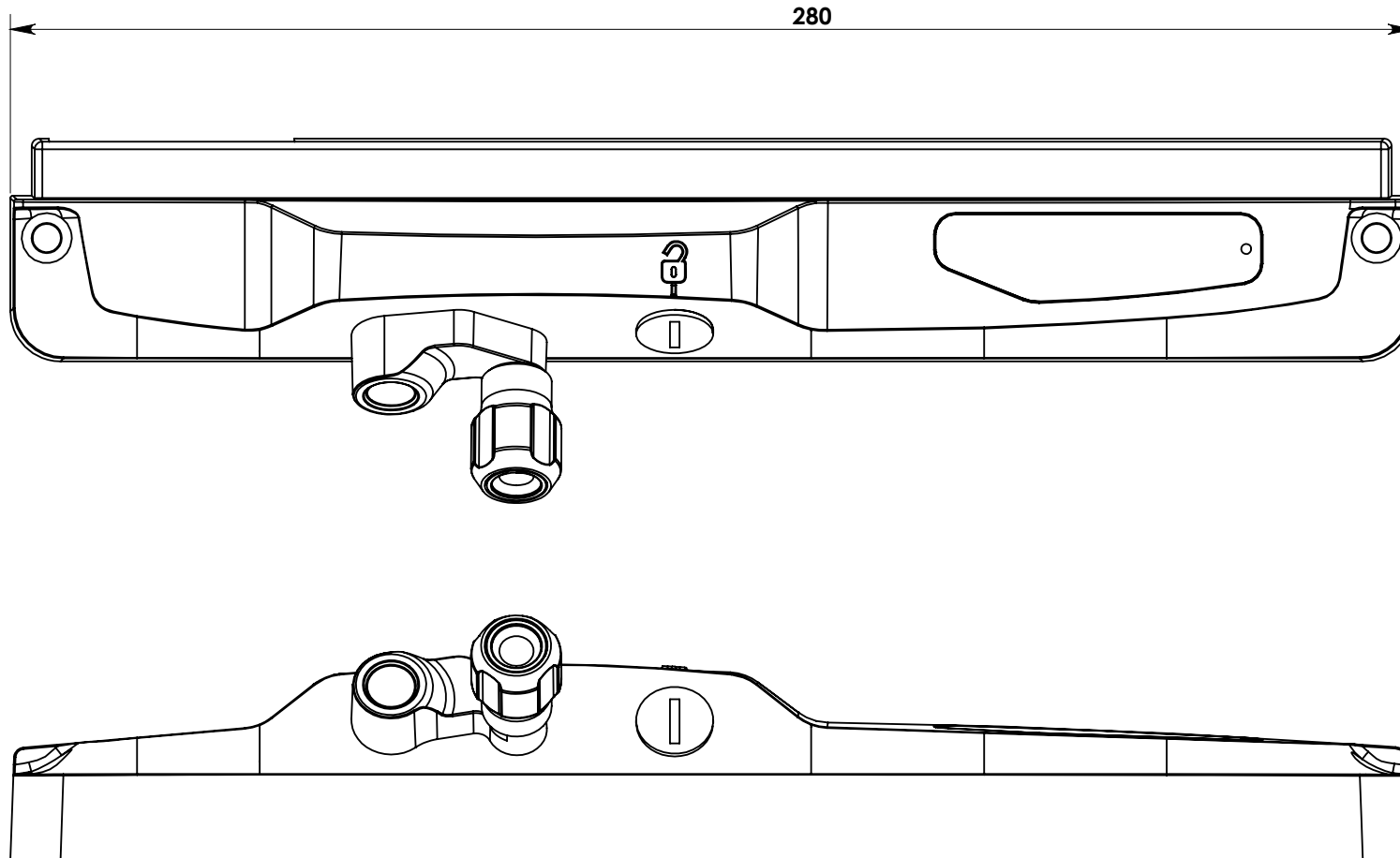
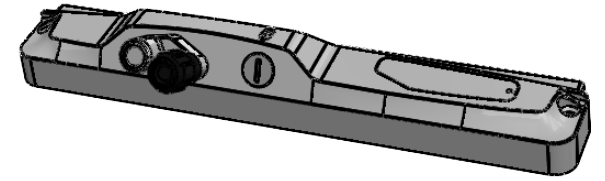


# TECTA CHAINWINDER SPECIFICATIONS



## MATERIAL SPECIFICATION:

CHAIN: STAINLESS STEEL 304 GRADE

WORM AND GEAR: ZINC DIE CAST

WINDER BODY: ZINC DIE CAST

## WEIGHT LIMITATIONS:

40kg